

# Netzkabel GB-IEC-PE 5 m - Bosch Rexroth 3842559952

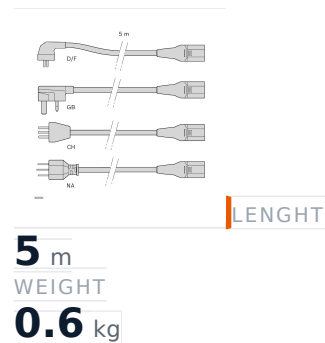
**Item no.** BRR-3842559952 **Manufacturer** Bosch Rexroth

**Manufacturer no.** 3842559952

Power supply cable for Bosch Rexroth assembly technology components, fitted with a UK Type G plug, IEC connector, and protective earth (PE). The 5 m length provides installation flexibility for British and Irish mains sockets.

## TECHNICAL DATA

Article authenticity	<b>Original product</b>
Condition of article	<b>New</b>
Lenght	<b>5 m</b>
Weight	<b>0.6 kg</b>
Zolltarifnummer	<b>85444290</b>



## DESCRIPTION

The mains cable 3842559952 connects Bosch Rexroth assembly technology components to the mains supply in GB markets. The UK Type G plug and standardised IEC connector ensure a secure, correctly polarised connection, while the integrated protective earth (PE) conductor meets earthing safety requirements. A 5 m cable length covers most installation scenarios without the need for an extension lead.

- UK Type G plug - compatible with British and Irish mains outlets
- IEC connector for direct connection to compatible Bosch Rexroth devices
- Protective earth (PE) conductor for compliant earthing
- 5 m length for flexible positioning of equipment
- 0.6 kg - lightweight and easy to route

## Technical data

Parameter	Value
Plug type	Type G (UK)
Connector	IEC
Protective earth PE	
Length	5 m

<b>Parameter</b>	<b>Value</b>
Weight	0.6 kg