

Netzkabel NA-IEC-PE 5 m - Bosch Rexroth 3842559954

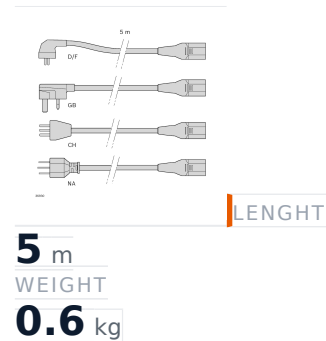
Item no. BRR-3842559954 **Manufacturer** Bosch Rexroth

Manufacturer no. 3842559954

Power cable with IEC connector and protective earth (PE) for North American outlets, 5 m length. Designed for Bosch Rexroth assembly technology equipment with IEC inlet operating on NA power grids (120 V, NEMA). Factory-assembled and ready to use.

TECHNICAL DATA

Article authenticity	Original product
Condition of article	New
Length	5 m
Weight	0.6 kg
Zolltarifnummer	85444290



DESCRIPTION

The 5 m mains cable NA-IEC-PE connects Bosch Rexroth devices with an IEC-C13/C14 inlet to North American power outlets (NEMA standard). The integrated protective earth (PE) conductor meets industrial safety requirements for assembly and production environments. The 5 m cable length provides sufficient reach for fixed or mobile workstation setups without an extension.

- 5 m length - covers most stationary assembly station installations without an extension lead
- Integrated protective earth (PE) - meets industrial insulation and safety requirements
- IEC connector for direct connection to compatible Bosch Rexroth equipment
- North America plug format (NA) for NEMA outlets (USA and Canada)
- Factory-assembled - no additional preparation required

Technical data

Specification	Value
Article number	3842559954
Description	Mains cable NA-IEC-PE
Length [L]	5 m
Plug format	North America (NA) / NEMA
Device connector	IEC

Specification	Value
Protective earth	PE (present)
Weight	0.6 kg