

Netzkabel GB-HD-IEC 3,5 m - Bosch Rexroth 3842564763

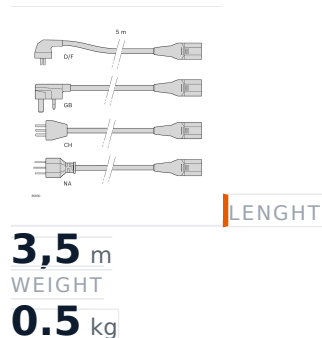
Item no. BRR-3842564763 **Manufacturer** Bosch Rexroth

Manufacturer no. 3842564763

Replacement mains cable with GB plug (UK Type G, BS 1363) and IEC C13 cold-device connector for Bosch Rexroth assembly technology systems. The 3.5 m cable length provides comfortable reach to the mains socket. Direct original-part replacement for missing or damaged cables.

TECHNICAL DATA

Article authenticity	Original product
Condition of article	New
Country of Manufacture	Romania
Lenght	3,5 m
Weight	0.5 kg
Zolltarifnummer	85444290



DESCRIPTION

The GB-HD-IEC mains cable from Bosch Rexroth connects assembly technology equipment to UK mains power. A GB plug (BS 1363, Type G) on one end and a standard IEC C13 connector on the other make this a drop-in replacement for the original cable - no adapters or modifications required. At 3.5 m, the cable gives enough slack for flexible equipment positioning.

- Purpose-built replacement for UK mains connections (Type G / BS 1363)
- IEC C13 cold-device connector for broad equipment compatibility
- 3.5 m cable length for flexible positioning
- Genuine Bosch Rexroth spare part for assembly technology systems

Technical data

Specification	Value
Article number	3842564763
Cable type	Mains cable GB-HD-IEC
Plug type	GB (BS 1363, Type G)
Device connector	IEC C13

Specification	Value
Length	3.5 m
Weight	0.5 kg