

Netzkabel CH-HD auf IEC 3,5 m - Bosch Rexroth 3842564765

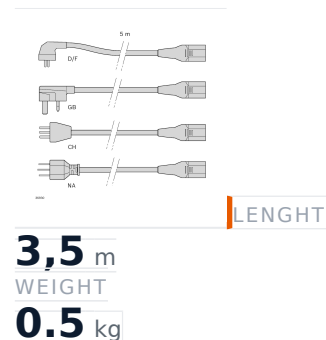
Item no. BRR-3842564765 **Manufacturer** Bosch Rexroth

Manufacturer no. 3842564765

Power cable with Swiss Type J plug (CH) and IEC C13 connector, 3.5 m long, for connecting Bosch Rexroth assembly technology components to the Swiss mains supply. Suited for stationary machine and workstation installations.

TECHNICAL DATA

Article authenticity	Original product
Condition of article	New
Country of Manufacture	Romania
Lenght	3,5 m
Weight	0.5 kg
Zolltarifnummer	85444290



STANDARDS & COMPLIANCE

IEC 60320

DESCRIPTION

The mains cable 3842564765 connects IEC C13 devices directly to the Swiss Type J (SEV 1011) mains socket at 230 V. The 3.5 m cable length provides enough reach between machine and wall outlet without extension cables or adapters.

- Plug type: Swiss Type J (SEV 1011) for Swiss mains sockets
- Device side: IEC 60320 C13 cold-device coupler
- Cable length 3.5 m for flexible equipment positioning
- Weight 0.5 kg - lightweight for daily handling

Technical data

Specification	Value
Article number	3842564765
Plug type	Swiss Type J (SEV 1011)

Specification	Value
Device connector	IEC 60320 C13
Length [L]	3.5 m
Weight	0.5 kg